

# SMD Tuning Fork Crystal Resonators / kHz Band Crystal Resonators

## DST520



Actual size

### ■ Features

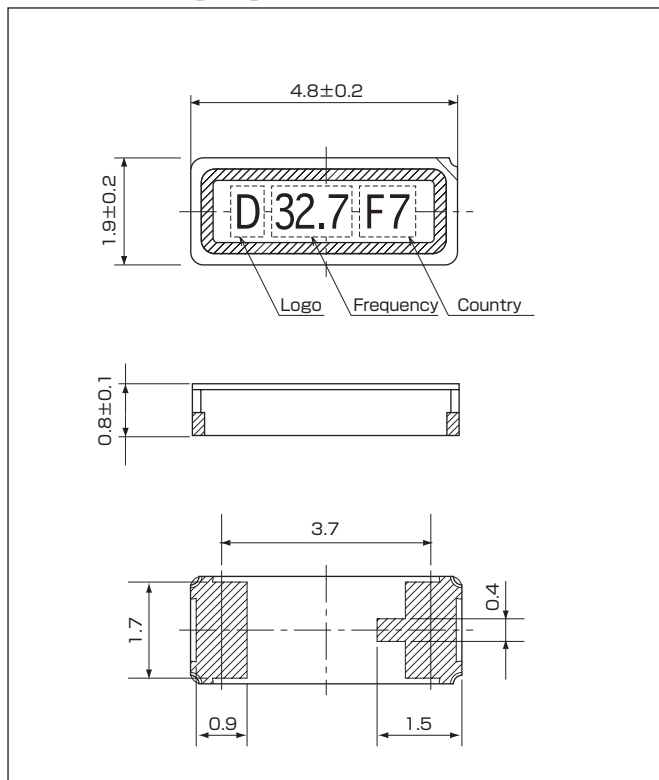
- 4819 size miniature and lightweight SMD tuning fork crystal resonator with a low profile of 0.8mm.
- A ceramic package providing high precision and reliability.
- Suitable for mobile telecommunications as well as many other applications.

### ■ Standard Specification

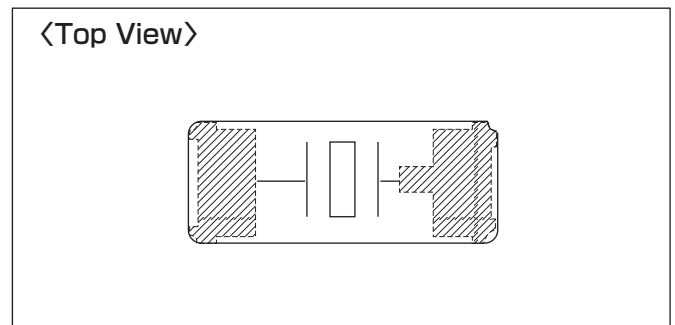
Item	Type	DST520
Frequency Range		32.768kHz (30~100kHz)
Load Capacitance		Series, 7pF, 8pF, 10pF, 12pF, 12.5pF
Drive Level		1.0μW (1.5μW max.)
Frequency Tolerance		$\pm 20 \times 10^{-6}$ , $\pm 30 \times 10^{-6}$ (at 25°C)
Series Resistance		50kΩ Typ. (80kΩ max.)
Turnover Temperature		+25°C±5°C
Two Dimensional Temperature Constant		$-0.04 \times 10^{-6} / ^\circ\text{C}^2$ max.
Operating Temperature Range		-40°C~+85°C
Storage Temperature Range		-40°C~+85°C
Shunt Capacitance		1.15pF Typ.
Packing Unit		3000pcs./reel (φ 180)

Consult our sales representative for other specifications.

### ■ Dimensions [mm]



### ■ Internal Connections



### ■ Recommended Land Pattern

[mm]

